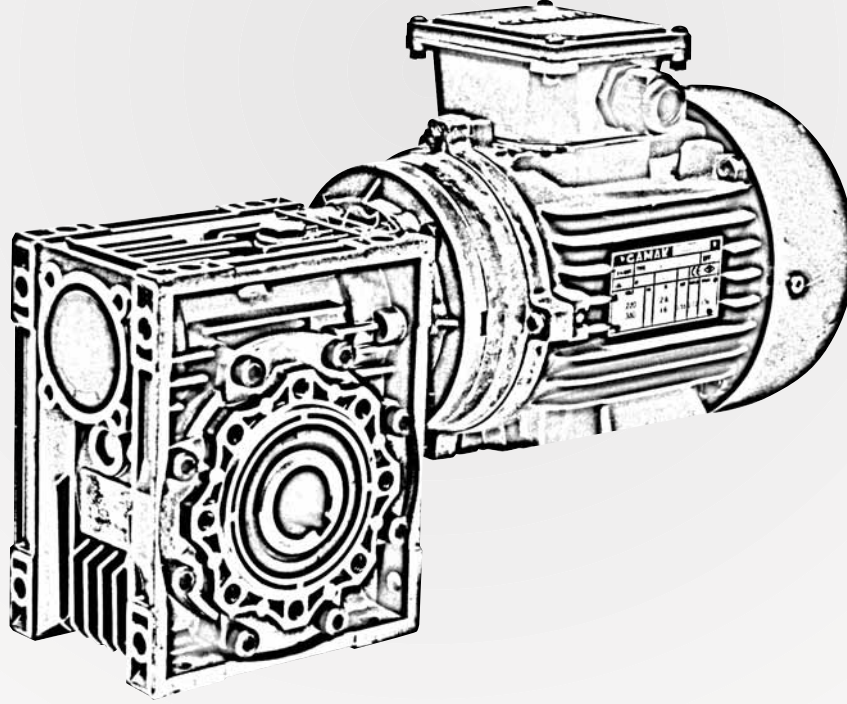


ALK Sonsuz Vidalı Redüktörler

Güç Devir Tabloları

ALK worm gearmotors performance tables

ALK Schneckengetriebe Leistung und Drehzahl Tabellen



BİZCANLI

REDÜKTÖR

Sonsuz Vidalı Tip Redüktörler Güç Devir Tablosu
Worm geared type gearmotors performans tables
Schneckenge triebmotoren leistung und drehzahlübersicht



Güç Power Kw Hp	Çıkış Devri Output speed r/min	Çıkış Momenti Output torque N • m	Çevrim oranı ratio i	Güv.Rad. Kuvveti Output radial force kN	Servis faktörü fs	Tip Model code	Güç Power Kw Hp	Çıkış Devri Output speed r/min	Çıkış Momenti Output torque N • m	Çevrim oranı ratio i	Güv.Rad. Kuvveti Output radial force kN	Servis faktörü fs	Tip Model code																									
0.06	186.7	2.6	7.5	0.68	6.9	ALK30	0.12	23.3	29	60	3.61	2.3	ALK50																									
	140	3.4	10	0.75	5.4			17.5	35	80	3.97	1.9																										
	93.3	4.7	15	0.86	3.8			14	40	100	4.28	1.4																										
	70	6	20	0.94	3.0			0.18	186.7	7.8	7.5	0.68		2.3	ALK30																							
	56	7	25	1.02	3.0											140	10	10	0.75	1.8																		
	46.7	8	30	1.08	2.5											93.3	14	15	0.86	1.3																		
	35	9.7	40	1.19	1.9											70	18	20	0.94	1.0																		
	28	11	50	1.28	1.5											56	21	25	1.02	1.0																		
	23.3	13	60	1.36	1.3											46.7	24	30	1.08	0.8																		
	17.5	14	80	1.5	0.9											0.09	70	19	20	1.82	2.0	ALK40																
0.09	186.7	3.9	7.5	0.68	4.6	ALK30	56						23										25	1.96	1.7													
	140	5	10	0.75	3.6																					46.7	26	30	2.08	1.7								
	93.3	7.1	15	0.86	2.5																					35	32	40	2.29	1.3								
	70	9	20	0.94	2.0			28	38	50	2.47	1.0																										
	56	10	25	1.02	2.0			23.3	43	60	2.63	0.8																										
	46.7	12	30	1.08	1.7			0.25	38	32	40	3.15		2.3	ALK50																							
	35	14	40	1.19	1.2																					28	36	50	3.39	1.9								
	28	17	50	1.28	1.0																					23.3	43	60	3.61	1.6								
	23.3	19	60	1.36	0.9																					17.5	52	80	3.97	1.2								
	0.12	28	19	50	2.47											2.0	ALK40	14	60	100	4.28	0.9																
23.3		21	60	2.63	1.7	0.25	186.7						11			7.5							1.31	3.6	ALK40													
17.5		26	80	2.89	1.3																					140	14	10	1.44	2.8								
14		29	100	3.11	1.0																					93.3	21	15	1.65	1.9								
0.12		186.7	5.2	7.5	0.68																					3.4	ALK30	70	27	20	1.82	1.5						
		140	6.7	10	0.75																					2.7							0.12	186.7	5.2	7.5	0.68	3.4
		93.3	9.5	15	0.86			1.9	140	6.7	10	0.75		2.7	ALK30																							
		70	12	20	0.94			1.5	93.3	9.5	15	0.86		1.9																								
		56	14	25	1.02			1.5	70	12	20	0.94		1.5																								
		46.7	16	30	1.08			1.3	56	14	25	1.02		1.5																								
	35	19	40	1.19	0.9			46.7	16	30	1.08	1.3																										
	28	23	50	1.28	0.8	35	19	40	1.19	0.9																												
	0.12	46.7	17.2	30	2.08	2.6	ALK40	28	25	50	2.47	1.5																										
		35	21	40	2.29	1.9							23.3	28		60	2.63	1.3																				
28		25	50	2.47	1.5	17.5							34	80		2.89	1.0																					
23.3		28	60	2.63	1.3	14							38	100		3.11	0.8																					
17.5		34	80	2.89	1.0	0.12							186.7	5.2	7.5	0.68	3.4	ALK30																				
14		38	100	3.11	0.8														140	6.7	10	0.75	2.7	ALK30														
0.12		46.7	17.2	30	2.08														2.6	ALK40	93.3	9.5	15		0.86	1.9												
		35	21	40	2.29														1.9								70	12	20	0.94	1.5							
		28	25	50	2.47														1.5								56	14	25	1.02	1.5							
		23.3	28	60	2.63														1.3								46.7	16	30	1.08	1.3							
	17.5	34	80	2.89	1.0		35	19	40	1.19	0.9																											
	14	38	100	3.11	0.8		28	23	50	1.28	0.8																											

“Ölçü Sayfası 69” - “Dimension Page 69”

BİZCANLI

REDÜKTÖR

Sonsuz Vidalı Tip Redüktörler Güç Devir Tablosu
Worm geared type garmotors performans tables
Schneckengetriebemotoren leistung und drehzahlübersicht



Güç Power Kw Hp	Çıkış Devri Output speed r/min	Çıkış Momenti Output torque N • m	Çevrim oranı ratio i	Güv.Rad. Kuvveti Output radial force kN	Servis faktörü fs	Tip Model code	Güç Power Kw Hp	Çıkış Devri Output speed r/min	Çıkış Momenti Output torque N • m	Çevrim oranı ratio i	Güv.Rad. Kuvveti Output radial force kN	Servis faktörü fs	Tip Model code					
0.25	56	32	25	1.96	1.2	ALK40	0.55	70	60	20	3.27	2.2	ALK63					
	46.7	36	30	2.08	1.3			56	73	25	3.52	1.8						
	35	44	40	2.29	0.9			46.7	83	30	3.74	1.9						
	28	37	50	2.47	0.8			35	105	40	4.12	1.4						
	0.37	70	26	20	2.5	2.7		ALK50	0.75	28	124	50	4.44	1.1	ALK75			
		56	32	25	2.69	2.2				23.3	140	60	4.71	0.9				
		46.7	37	30	2.86	2.3				35	108	40	4.86	2.0				
		35	46	40	3.15	1.7				28	129	50	5.24	1.6				
		0.55	28	54	50	3.39		1.4		ALK63	1.1	23.3	146	60	5.56	1.4	ALK90	
			23.3	60	60	3.61		1.1				17.5	180	80	6.13	1.1		
			17.5	72	80	3.97		0.9				14	206	100	6.6	0.9		
			28	56	50	4.44		2.4				17.5	189	80	6.78	1.5		
0.75			23.3	63	60	4.71	2.0	ALK40		1.1		14	221	100	7.3	1.2	ALK50	
			17.5	78	80	5.19	1.6					186.7	34	7.5	1.8	2.1		
			14	87	100	5.59	1.4					140	44	10	1.98	1.6		
			186.7	16	7.5	1.31	2.4					93.3	63	15	2.27	1.2		
	1.1		140	21	10	1.44	1.9	ALK50	1.1			70	81	20	2.5	0.9	ALK63	
			93.3	31	15	1.65	1.3					93.3	63	15	2.97	2.2		
			70	39	20	1.82	1.0					70	83	20	3.27	1.6		
			56	47	25	1.96	0.8					56	100	25	3.52	1.3		
		1.5	46.7	53	30	2.08	0.8	ALK63			1.5	46.7	114	30	3.74	1.4	ALK75	
			140	21	10	1.98	3.3					35	143	40	4.12	1.0		
			93.3	32	15	2.27	2.4					56	102	25	4.16	2.0		
			70	40	20	2.5	1.8					46.7	117	30	4.42	2.0		
2.2			56	48	25	2.69	1.5	ALK63		2.2		35	147	40	4.86	1.5	ALK90	
			46.7	55	30	2.86	1.5					28	177	50	5.24	1.2		
			35	68	40	3.15	1.1					23.3	200	60	5.56	1.0		
			28	80	50	3.39	0.9					28	184	50	5.79	1.8		
	3.0		23.3	89	60	3.61	0.8	ALK63	3.0			23.3	212	60	6.16	1.5	ALK63	
			35	70	40	4.12	2.1					17.5	258	80	6.78	1.1		
			28	83	50	4.44	1.6					14	302	100	7.3	0.9		
			23.3	94	60	4.71	1.4					186.7	49	7.5	2.35	2.6		
		4.0	17.5	115	80	5.19	1.1	ALK63			4.0	140	65	10	2.59	2.0	ALK63	
			14	129	100	5.59	0.9					93.3	93	15	2.97	1.5		
			186.7	25	7.5	1.8	2.9											
			140	32	10	1.98	2.2											
5.5			93.3	46	15	2.27	1.6	ALK63		5.5							ALK63	
			70	59	20	2.5	1.2											
			56	71	25	2.69	1.0											
			46.7	81	30	2.86	1.0											
	7.5		35	80	40	3.15	0.9	ALK63	7.5								ALK63	

"Ölçü Sayfası 69" - "Dimension Page 69"

BİZCANLI

REDÜKTÖR



Sonsuz Vidalı Tip Redüktörler Güç Devir Tablosu
Worm geared type gearmotors performans tables
Schneckenge triebmotoren leistung und drehzahlübersicht

Güç Power Kw Hp	Çıkış Devri Output speed r/min	Çıkış Momenti Output torque N • m	Çevrim oranı ratio i	Güv.Rad. Kuvveti Output radial force kN	Servis faktörü fs	Tip Model code	Güç Power Kw Hp	Çıkış Devri Output speed r/min	Çıkış Momenti Output torque N • m	Çevrim oranı ratio i	Güv.Rad. Kuvveti Output radial force kN	Servis faktörü fs	Tip Model code
1.1	70	122	20	3.27	1.1	ALK63	2.2	140	134	10	3.39	2.3	ALK90
	56	146	25	3.52	0.9			93.3	194	15	3.88	1.9	
	46.7	167	30	3.74	1.0			70	252	20	4.27	1.4	
	35	165	40	3.59	0.9			56	308	25	4.6	1.1	
	93.3	95	15	3.5	2.1	ALK75		46.7	351	30	4.89	1.2	
	70	123	20	3.86	1.7			35	433	40	4.9	1.0	
	56	150	25	4.16	1.3			28	393	50	5.28	0.9	
	46.7	171	30	4.42	1.3			70	255	20	5.39	2.5	ALK110
	35	216	40	4.86	1.0			56	315	25	5.81	2.2	
	28	264	50	4.6	0.9			46.7	356	30	6.18	2.0	
	23.3	223	60	4.89	0.8			35	468	40	6.8	1.5	
	35	225	40	5.38	1.6	ALK90		28	563	50	7.32	1.2	
28	270	50	5.79	1.3		23.3	648	60	7.78	1.0			
23.3	311	60	6.16	1.0		35	468	40	8.89	2.2	ALK130		
17.5	328	80	6.17	0.9		28	563	50	9.58	1.7			
28	281	50	7.32	2.3	ALK110	23.3	648	60	10.108	1.4			
23.3	324	60	7.78	1.9		17.5	816	80	11.21	1.0			
17.5	402	80	8.57	1.3		14	869	100	10.62	0.8			
14	473	100	9.23	1.0		28	8570	50	13.1	2.5	ALK150		
1.5	186.7	67	7.5	2.35	1.9	ALK63	3	23.3	657	60	13.92	1.9	
	140	89	10	2.59	1.5			17.5	816	80	15.32	1.4	
	93.3	127	15	2.97	1.1			14	960	100	16.5	1.0	
	70	166	20	3.27	0.8			186.7	136	7.5	2.78	1.4	ALK75
	140	90	10	3.06	2.2	ALK75		140	180	10	3.06	1.1	
	93.3	130	15	3.5	1.5			93.3	261	15	3.5	0.8	
	70	163	20	3.86	1.3			186.7	138	7.5	3.08	2.1	ALK90
	56	205	25	4.16	1.0			140	182	10	3.39	1.7	
	46.7	233	30	4.42	1.0			93.3	264	15	3.88	1.4	
	70	171	20	4.27	2.1	ALK90		70	344	20	4.27	1.0	
	56	210	25	4.6	1.6			56	420	25	4.6	0.8	
	46.7	239	30	4.89	1.7			46.7	479	30	4.89	0.9	
35	307	40	5.38	1.2		93.3	264	15	4.9	2.5	ALK110		
28	368	50	5.79	0.9		70	348	20	5.39	1.9			
23.3	424	60	6.16	0.8		56	430	25	5.81	1.6			
35	319	40	6.8	2.2	ALK110	46.7	485	30	6.18	1.5			
28	384	50	7.32	1.7		35	638	40	6.8	1.1			
23.3	442	60	7.78	1.4		28	767	50	7.32	0.9			
17.5	548	80	8.57	0.9		56	429	25	7.6	2.2	ALK130		
2.2	186.7	100	7.5	2.78	1.8	ALK63	46.7	491	30	8.08	2.1		
	140	132	10	3.06	1.5		35	638	40	8.89	1.6		
	93.3	191	15	3.5	1.0		28	767	50	9.58	1.3		
	70	240	20	3.38	0.9		23.3	884	60	10.18	1.0		
	46.7	269	30	3.89	0.8		17.5	1113	80	11.21	0.8		
	186.7	101	7.5	3.08	2.9	ALK90							

"Ölçü Sayfası 69" - "Dimension Page 69"

BİZCANLI

REDÜKTÖR

Sonsuz Vidalı Tip Redüktörler Güç Devir Tablosu
Worm geared type gearmotors performans tables
Schneckengetriebemotoren leistung und drehzahlübersicht



Güç Power Kw Hp	Çıkış Devri Output speed r/min	Çıkış Momenti Output torque N • m	Çevrim oranı ratio i	Güv.Rad. Kuvveti Output radial force kN	Servis faktörü fs	Tip Model code	Güç Power Kw Hp	Çıkış Devri Output speed r/min	Çıkış Momenti Output torque N • m	Çevrim oranı ratio i	Güv.Rad. Kuvveti Output radial force kN	Servis faktörü fs	Tip Model code
4	28	777	50	13.1	1.8	ALK150	7.5	186.7	345	7.5	3.89	1.6	ALK110
	23.3	896	60	13.92	1.4			140	455	10	4.28	1.3	
	17.5	1113	80	15.32	1.0			93.3	660	15	4.9	1.0	
	14	1310	100	16.5	0.8								
	186.7	182	7.5	2.44	1.4	ALK75		186.7	349	7.5	5.09	2.1	ALK130
	186.7	184	7.5	3.08	1.6			140	455	10	5.6	1.8	
	140	243	10	3.39	1.3	ALK90		93.3	668	15	6.41	1.4	ALK150
	93.3	352	15	3.88	1.0			70	880	20	7.06	1.0	
	70	458	20	4.27	0.8			56	1074	25	7.6	0.9	
	140	242	10	4.28	2.5	ALK110		46.7	1228	30	8.08	0.8	
	93.3	352	15	4.9	1.9			35	1596	40	8.89	0.7	
	70	464	20	5.39	1.4			70	880	20	9.65	1.5	ALK150
56	573	25	5.81	1.2	56		1074	25	10.4	1.1			
46.7	647	30	6.18	1.1		46.7	1274	30	11.05	0.9			
56	573	25	7.6	1.6	ALK130								
46.7	655	30	8.08	1.6									
35	851	40	8.89	1.2									
28	1023	50	9.58	1.0									
23.3	1179	60	10.18	0.8									
28	1036	50	13.1	1.4	ALK150								
23.3	1195	60	13.92	1.1									
17.5	1484	80	15.32	0.8									
186.7	253	7.5	3.89	2.2	ALK110								
140	334	10	4.28	1.8									
93.3	484	15	4.9	1.4									
70	638	20	5.39	1.0									
56	711	25	5.15	0.9									
140	333	10	5.6	2.5	ALK130								
93.3	490	15	6.41	1.9									
70	645	20	7.06	1.4									
56	788	25	7.6	1.2									
46.7	900	30	8.08	1.2									
35	1171	40	8.89	0.9									
28	1103	50	8.51	0.8									
70	645	20	9.65	2.0	ALK150								
56	788	25	10.4	1.5									
46.7	934	30	11.05	1.3									
35	1171	40	12.16	1.3									
28	1426	50	13.1	1.0									
23.3	1643	60	13.92	0.8									

“Ölçü Sayfası 69” - “Dimension Page 69”

BİZCANLI

REDÜKTÖR

Sonsuz Vidalı Tip Redüktörler Güç Devir Tablosu
Worm geared type gearmotors performans tables
Schneckengetriebemotoren leistung und drehzahlübersicht



Güç Power Kw Hp	Çıkış Devri Output speed r/min	Çıkış Momenti Output torque N • m	Çevrim oranı ratio i	1.Çevrim oranı ratio i	2.Çevrim oranı ratio i	Güv.Rad. Kuvveti Output radial force kN	Servis faktörü fs	Tip Model code	Güç Power Kw Hp	Çıkış Devri Output speed r/min	Çıkış Momenti Output torque N • m	Çevrim oranı ratio i	1.Çevrim oranı ratio i	2.Çevrim oranı ratio i	Güv.Rad. Kuvveti Output radial force kN	Servis faktörü fs	Tip Model code				
0.06	4.7	57	300	10	30	3.49	1.3	ALK 30/40	0.09	4.7	87	300	10	30	3.49	0.8	ALK 30/40				
	3.5	70	400	10	40	3.49	0.9			3.5	106	400	10	40	4.84	1.2		ALK 30/50			
	2.8	96	500	20	25	3.49	0.6			2.8	123	500	10	50	4.84	1.0					
	2.3	104	600	20	30	3.49	0.7			2.3	159	600	20	30	4.84	0.9					
	1.9	121	750	25	30	3.49	0.6			1.9	185	750	25	30	4.84	0.8		ALK 30/63			
	1.6	139	900	30	30	3.49	0.5			1.6	212	900	30	30	4.84	0.7					
	1.2	166	1200	30	40	3.49	0.4			1.2	263	1200	30	40	6.27	1.0					
	0.9	196	1500	50	30	3.49	0.4			0.9	305	1500	30	50	6.27	0.7		ALK 30/63			
	0.78	218	1800	60	30	3.49	0.3			0.78	359	1500	50	30	7.38	1.1					
	0.58	261	2400	60	40	3.49	0.2			0.58	496	2400	60	40	7.38	0.7					
	0.4	300	3200	80	40	3.49	0.2			0.4	548	4000	50	80	8.18	0.9		ALK 40/75			
	0.4	279	4000	50	80	3.49	0.1			0.35	548	4000	50	80	8.18	0.8					
	0.28	338	5000	50	100	3.49	0.1			0.28	548	4000	50	80	8.18	0.8					
	0.06	1.6	141	900	30	30	4.84			1.0	ALK 30/50	0.12	4.7	118	300	10		30	4.84	1.2	ALK 30/40
		1.2	169	1200	30	40	4.84			0.7			3.5	142	400	10		40	4.84	0.9	
		0.93	199	1500	50	30	4.84			0.7			2.8	164	500	10		50	4.84	0.7	
		0.78	222	1800	60	30	4.84			0.7			2.8	171	500	10		50	6.27	1.3	
		0.6	268	2400	60	40	4.84			0.5			2.3	208	600	15		40	6.27	1.1	
0.5		307	3000	60	50	4.84	0.4	1.9	241	750			15	50	6.27	0.9					
0.35		288	4000	50	80	4.84	0.3	1.6	324	900			30	30	7.38	1.2					
0.29		311	4800	60	80	4.84	0.3	1.2	399	1200			30	40	7.38	0.9					
0.9		203	1500	30	50	6.27	1.1	0.78	546	1800			30	60	8.18	0.9					
0.78		225	1800	30	60	6.27	0.9	0.58	695	2400			60	40	8.18	0.9					
0.58		276	2400	60	40	6.27	0.8	0.5	883	3000			60	50	10.32	1.2	ALK 30/50				
0.06		0.47	319	3000	60	50	6.27	0.7	0.35	784			4000	50	80	10.32		1.0			
		0.35	306	4000	50	80	6.27	0.6	0.28	928			5000	50	100	10.32		0.8			
		0.28	360	5000	50	100	6.27	0.4	0.18	3.5			221	400	10	40	6.27	1.0			
0.6		330	2400	60	40	7.38	1.1	2.8		257			500	10	50	6.27	0.8				
0.47		377	3000	60	50	7.38	0.8	2.3		362			600	20	30	7.38	1.1				
0.35		355	4000	50	80	7.38	0.7	1.9	435	750			25	30	7.38	0.9	ALK 30/63				
0.28		419	5000	50	100	7.38	0.5	1.6	487	900			30	30	7.38	0.8					
0.5	405	3000	60	50	8.18	1.4	1.2	629	1200	30	40	8.18	1.0								
0.35	365	4000	50	80	8.18	1.3	0.93	735	1500	30	50	8.18	0.8	ALK 30/63							
0.28	463	5000	50	100	8.18	1.0	0.78	860	1800	60	30	10.32	1.5								
							0.58	1113	2400	60	40	10.32	1.1								

BİZCANLI

REDÜKTÖR



Sonsuz Vidalı Tip Redüktörler Güç Devir Tablosu

Worm geared type gearmotors performans tables

Schneckengetriebemotoren leistung und drehzahlübersicht

Güç Power Kw Hp	Çıkış Devri Output speed r/min	Çıkış Momenti Output torque N • m	Çevrim oranı ratio i	1.Çevrim oranı ratio i	2.Çevrim oranı ratio i	Güv.Rad. Kuvveti Output radial force kN	Servis faktörü fs	Tip Model code	Güç Power Kw Hp	Çıkış Devri Output speed r/min	Çıkış Momenti Output torque N • m	Çevrim oranı ratio i	1.Çevrim oranı ratio i	2.Çevrim oranı ratio i	Güv.Rad. Kuvveti Output radial force kN	Servis faktörü fs	Tip Model code		
0.25	3.5 2.8	159 185	400 500	110	40	6.27	1.4	ALK 30/63	0.55	4.7 3.5 2.8	638 826 984	300 400 500	10	30	10.32	2.0	ALK 50/110		
				10	50	6.27	1.2						10	40	10.32	1.4			
				15	40	10.32	1.1						10	50	10.32	1.1			
	3.5 2.8	336 384	400 500	10	40	7.38	1.1	ALK 63/130		1.9 1.2	1181 1411	600 750	15 25	40	30	10.32	1.0	ALK 63/130	
				15	50	7.38	0.8							40	30	10.32	0.9		
				15	60	8.18	1.2							25	30	13.5	1.6		
	1.9 1.6	598 667	750 900	15	50	8.18	0.9	ALK 63/130		0.78 0.6	2637 3182	1800 2400	60 60	30	40	18	0.8	ALK 63/150	
				50	30	10.32	1.2							60	40	18	0.8		
				50	30	10.32	1.1							60	40	18	0.8		
	1.2 0.93 0.78	943 1064 1195	1200 1500 1800	30	40	10.32	1.3	ALK 63/100		0.75	4.7 3.5	871 1126	300 400	10 10	30	40	10.32	1.5	ALK 50/110
				30	30	10.32	1.2								10	40	10.32	1.1	
				30	30	10.32	1.1								10	40	10.32	1.1	
0.6 0.47	1624 1935	2400 3000	60	40	13.5	1.0	ALK 63/150	1.1	2.8 2.3	1357 1631	500 600	10 15	50	40	13.5	1.1	ALK 63/130		
			60	50	13.5	0.8							15	40	13.5	1.0			
			60	50	13.5	0.8							15	40	13.5	1.0			
0.35 0.28	2046 2430	4000 5000	50	80	13.5	0.6	ALK 63/100	1.1	2.8 2.3	1290 1529	500 600	10 15	50	40	18	1.8	ALK 63/150		
			50	100	13.5	0.5							15	40	18	1.7			
			50	100	13.5	0.5							15	40	18	1.3			
0.78 0.6 0.5	1199 1446 1713	1800 2400 3000	60	30	18	1.8	ALK 63/150	1.1	1.9 1.6	1783 2215	750 900	25 30	30	30	18	0.9	ALK 63/150		
			60	40	18	1.4							30	30	18	0.9			
			60	50	18	1.4							30	30	18	0.9			
0.4 0.3	2026 2251	4000 5000	50	80	18	0.9	ALK 63/150	1.1	1.2	2680	1200	30	40	40	18	1.0	ALK 63/150		
			50	100	18	0.7							40	40	18	1.0			
			50	100	18	0.7							40	40	18	1.0			
0.37	4.7 3.5	405 498	300 400	10	30	7.38	1.0	ALK 40/75	1.5	4.7 3.5 2.8	1312 1671 1991	300 400 500	10 10 10	30	30	13.5	1.3	ALK 63/130	
				40	40	7.38	0.7							40	40	13.5	1.0		
				40	40	7.38	0.7							40	40	13.5	0.8		
4.7 3.5 2.8	401 523 611	300 400 500	7.5	40	8.18	1.5	ALK 40/90	1.5	9.3 7.0 5.6	752 966 1175	150 200 250	10 10 10	15	20	18	3.1	ALK 63/150		
			10	40	8.18	1.2							10	20	18	2.4			
			10	50	8.18	0.9							10	25	18	1.7			
2.3	757	600	15	40	8.18	0.8	ALK 50/110	1.5	4.7 3.5	1364 1619	300 400	10 10	30	40	18	1.7	ALK 63/150		
			15	40	8.18	0.8							30	40	18	1.6			
			15	40	8.18	0.8							30	40	18	1.6			
1.9 1.6 1.2	949 1079 1396	750 900 1200	25	30	10.32	1.3	ALK 50/110	1.5	2.8 2.3 1.9	1893 2242 2616	500 600 750	10 15 25	50	40	18	1.2	ALK 63/130		
			30	30	10.32	1.2							50	40	18	1.2			
			30	40	10.32	0.8							50	40	18	0.9			
0.9 0.78	1674 1887	1500 1800	50	30	13.5	1.1	ALK 63/130	1.5	4.7 3.5	1789 2279	300 400	10 10	30	40	13.5	1.0	ALK 63/130		
			60	30	13.5	0.9							30	40	13.5	0.7			
			60	30	13.5	0.9							30	40	13.5	0.7			
0.78 0.6 0.5	1774 2141 2535	1800 2400 3000	60	30	18	1.2	ALK 63/150	1.5	9.3 7 5.6	1026 1317 1602	150 200 250	10 10 10	15	20	18	2.3	ALK 63/150		
			60	40	18	1.2							10	25	18	1.3			
			60	50	18	0.9							10	25	18	1.3			
0.4 0.3	2026 2251	4000 5000	50	80	18	0.9	ALK 63/150	1.5	4.7 3.5 2.8	1860 2208 2582	300 400 500	10 10 10	30	40	18	1.3	ALK 63/150		
			50	80	18	0.9							30	40	18	1.2			
			50	100	18	0.7							30	40	18	0.9			